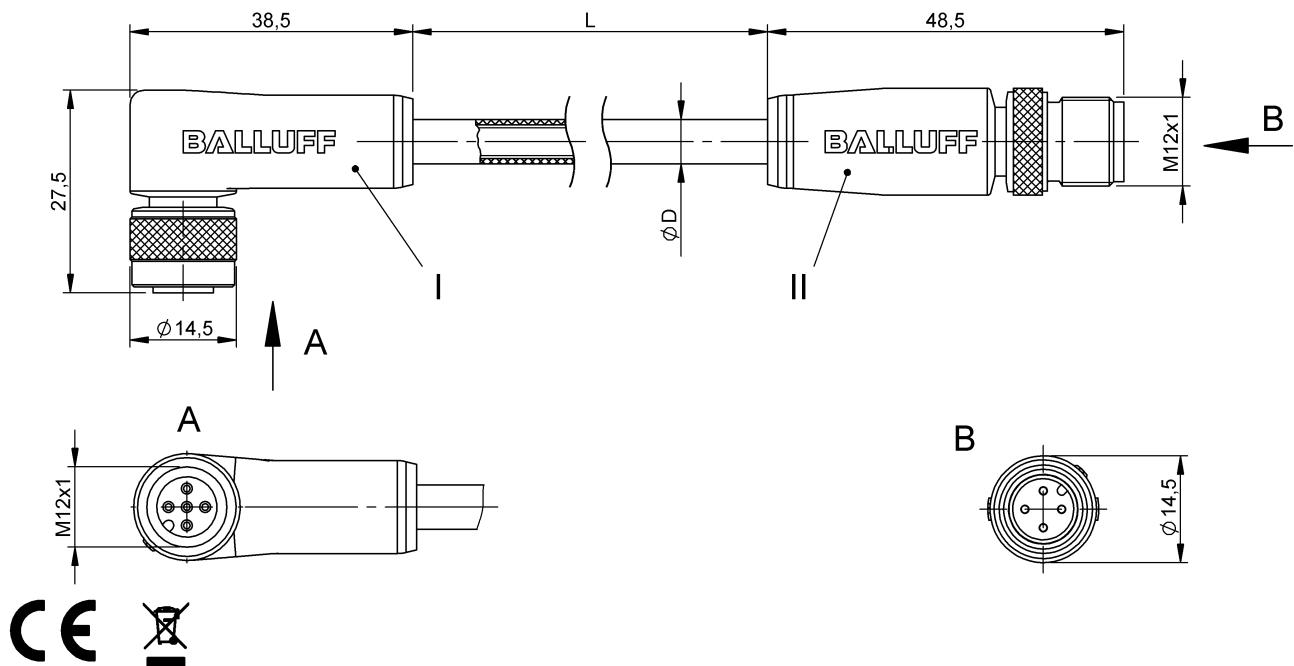


Double-Ended Cordsets
BCC W425-W414-3A-304-NW44T2-015
Order Code: BCC0J35

BALLUFF



Basic features

Application	Welding area
Approval/Conformity	CE WEEE

Electrical connection

Bending radius min., fixed cable	5 x D
Bending radius min., flexible cable	10 x D
Cable	TPE welding spark resistant Yellow, 1.5 m, drag chain compatible
Cable diameter D	8.00 mm ±0.20 mm
Cable, bending cycles min.	10 mil.
Conductor cross-section	22 AWG
Connection 1	M12x1-Female, angled, 5-pin, A-coded
Connection 2	M12x1-Male, straight, 4-pin, A-coded
Number of conductors	4
Protection jacket color	Transparent
System	Molded/Molded

Electrical data

Cable rated voltage AC max.	300 V
Cable rated voltage DC max.	300 V
Operating voltage Ub	250 VDC / 250 VAC
Rated current (40 °C)	4.0 A

Environmental conditions

Cable temperature, fixed routing	-50...105 °C
Cable temperature, flexible routing	-25...105 °C
IP rating	IP65/IP65

Interface

Switching output	Complementary
-------------------------	---------------

Material

Cable jacket material, note	welding spark resistant
Cable jacket, material	TPE
Jacket material	Silicone
Material contact carrier	PUR, special/PUR, special
Material contacts	Bronze/Brass
Material cover nut	Brass PTFE coated/Brass PTFE coated
Material grip	PUR, special/PUR, special

Mechanical data

Cable jacket, color	Yellow
Cable length L	1.50 m
Cable properties	drag chain compatible
Tightening torque pigtail	0.6 Nm/0.6 Nm

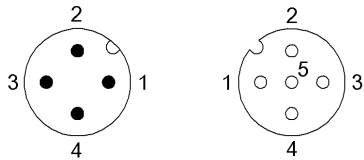
Double-Ended Cordsets
BCC W425-W414-3A-304-NW44T2-015
Order Code: **BCC0J35**



Remarks

Cable construction acc. to UL-AWM Style 20327
Flame resistance acc. to IEC 332-2
Maximum temperature at outer jacket from weld spatter/beads short-time 800°C.
Enclosure rating per IEC 60529, only in screwed state with the associated mating piece.

Connector Drawings



- | | |
|--------------|-----------------|
| II | I |
| PIN 1: brown | PIN 1: brown |
| PIN 2: white | PIN 2: white |
| PIN 3: blue | PIN 3: blue |
| PIN 4: black | PIN 4: black |
| | PIN 5: not used |

Wiring Diagrams

